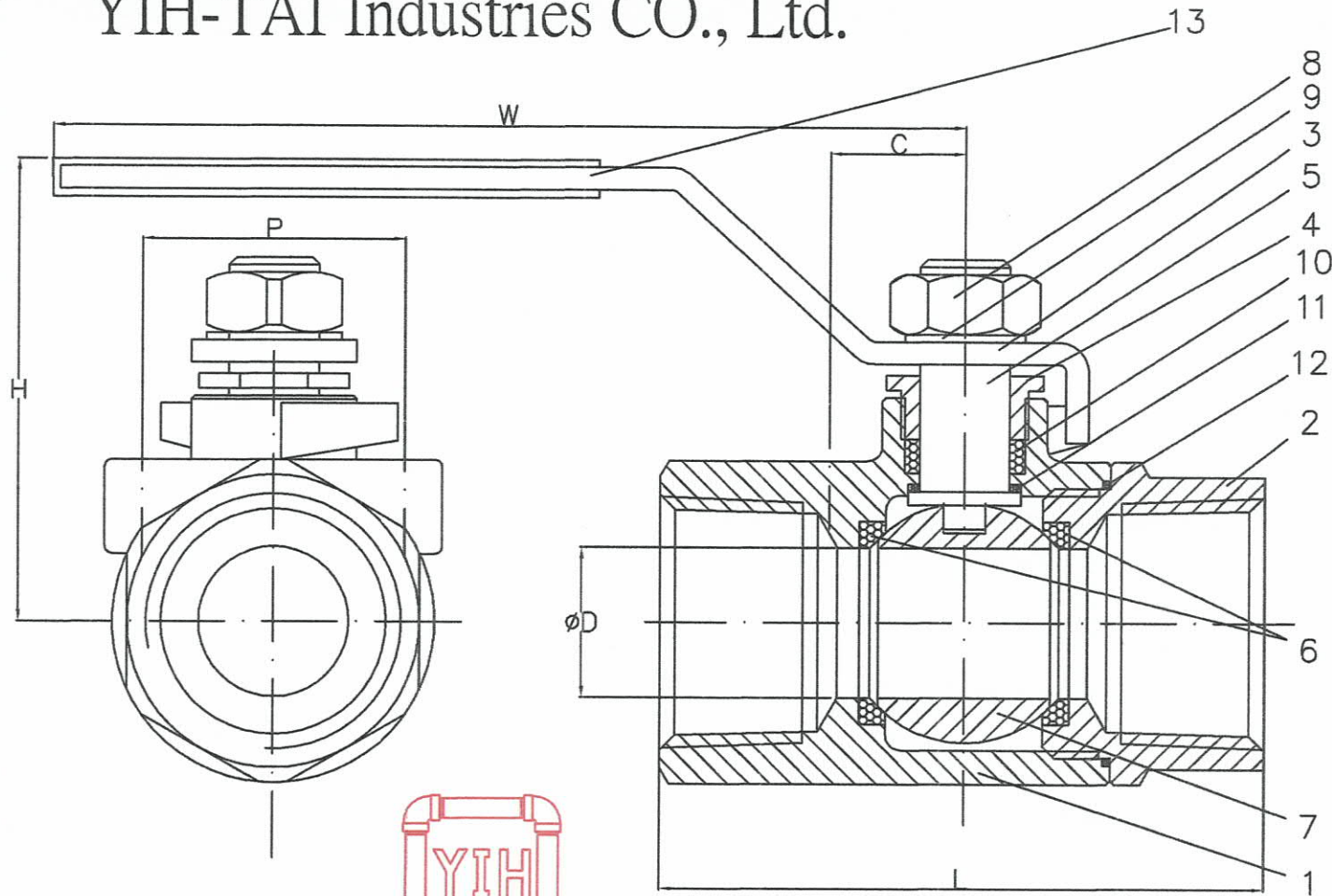


YIH-TAI Industries CO., Ltd.

NO	Q'ty	Material	Parts Name
1	1	ASTM A351 CF8M	BODY
2	1	ASTM A351 CF8M	END CAP
3	1	SUS304	HANDLE
4	1	SUS304	GLAND
5	1	SUS316	STEM
6	2	PTFE	SEAT RING
7	1	SUS316	BALL
8	1	SUS304	HANDLE NUT
9	1	SUS304	SPRING WASHER
10	3	PTFE	GRAND PACKING
11	1	PTFE	THRUST WASHER
12	1	PTFE	SEAL
13	1	PLASTIC	HANDLE COVER



#905 2SL(2000psi)

NAME 2-PC BALL VALVE (2000psi) NO: #905 2SL(2000psi)

Size Dim Unit	1/4		3/8		1/2		3/4		1		1 1/4		1-1/2 (1500 psi)		2 (1500 psi)	
	INCH	MM	INCH	MM	INCH	MM	INCH	MM	INCH	MM	INCH	MM	INCH	MM	INCH	MM
D	0.43	11	0.43	11	0.49	12.5	0.63	16	0.79	20	0.98	25	1.26	32	1.50	38
L	2.01	51	2.01	51	2.32	59	2.72	69	3.17	80.6	3.72	94.6	4.00	101.6	4.70	119.4
W	3.78	96	3.78	96	3.78	96	4.96	126	4.96	126	7.05	179	7.05	179	7.05	179
H	1.87	47.5	1.87	47.5	1.87	47.5	2.15	54.5	2.26	57.5	2.78	70.5	2.97	75.5	3.15	80
C	0.50	12.7	0.50	12.7	0.50	12.7	0.88	22.4	0.88	22.4	0.95	24	0.95	24	0.95	24
P	1.12	28.5	1.12	28.5	1.12	28.5	1.38	35	1.38	35	1.50	38	1.50	38	1.50	38
CV	7		7		10		25		35		47		81		105	